

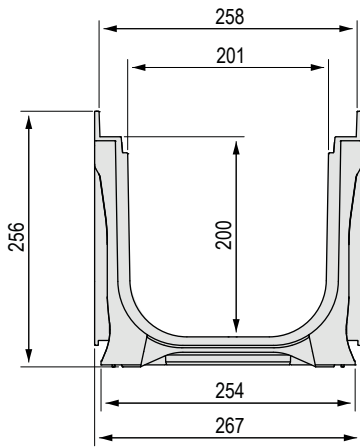
ABS CHANNELS PLASTIC FLY 200

Grating width 250 mm

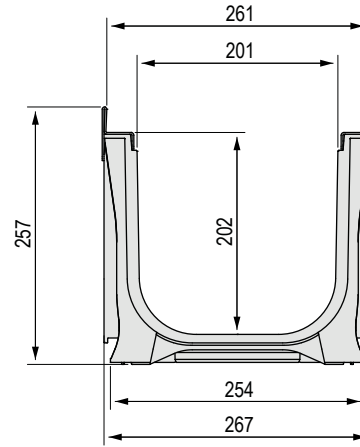
ABS channel available in various versions for housing the grating: without edge rails, with ABS edge rails or with metal edge rails, complying with the UNI EN 1433 standard. The channels are sold exclusively in complete pallets and together with the gratings.



Dimensions of the Plastic Fly 200 channel based on the type of edge rail used


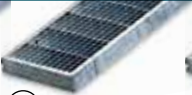



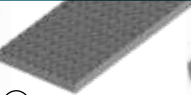



With **ABS** protective edge rail



With protective edge rail **MADE OF GALVANISED STEEL OR AISI 304 STAINLESS STEEL**

Available gratings

						
1 Pressure-locked grating, 33x33 mesh, galvanised or stainless steel C 250	2 Pressure-locked grating, 55x11 heelguard mesh, galvanised or stainless steel C 250	3 Pressure-locked grating, 33x11 heelguard mesh, galvanised or stainless steel C 250	4 GJS500-7 ductile iron grating C 250 D 400	5 GJS500-7 ductile iron heelguard grating C 250 D 400	6 Embossed metal sheet plate Th. 3, galvanised or stainless steel C 250 D 400	7 AISI 304 stainless steel grating, 25x25 mesh D 400

Plastic Fly 200 channel complete with grating - Length 1,000 mm

WITH ABS PROTECTIVE EDGE RAIL

Channel L mm	Code	Grating	Description of the channel assembled with the grating complete with accessories	Weight kg	Load class
1,000	4D21SG1	1	Channel complete with pressure-locked grating with C-shaped edges, 25x2-10x2 33x33, hot-dip galvanised	10.12	C 250
	4D21SG2	2	Channel complete with pressure-locked grating with C-shaped edges, 25x2-10x2 55x11 heelguard mesh, hot-dip galvanised	11.05	
	4D21SG3	3	Channel complete with pressure-locked grating with C-shaped edges, 25x2-10x2 33x11 heelguard mesh, hot-dip galvanised	12.34	
	4D21SGS	4	Channel complete with 2 x GJS500-7 ductile iron gratings	27.86	
	4D21SGSA	5	Channel complete with 2 x GJS500-7 ductile iron heelguard gratings	29.74	
	4D21SP	6	Channel complete with embossed metal sheet solid plate Th. 3, reinforced and hot-dip galvanised	29.53	

WITH GALVANISED PROTECTIVE EDGE RAIL

Channel L mm	Code	Grating	Description of the channel assembled with the grating complete with accessories	Weight kg	Load class
1,000	4D22SG1	①	Channel complete with pressure-locked grating with C-shaped edges, 25x2-10x2 33x33, hot-dip galvanised	12.75	C 250
	4D22SG2	②	Channel complete with pressure-locked grating with C-shaped edges, 25x2-10x2 55x11 heelguard mesh, hot-dip galvanised	13.68	
	4D22SG3	③	Channel complete with pressure-locked grating with C-shaped edges, 25x2-10x2 33x11 heelguard mesh, hot-dip galvanised	14.97	
	4D22SGS	④	Channel complete with GJS500-7 ductile iron gratings	30.49	D 400
	4D22SGSA	⑤	Channel complete with GJS500-7 ductile iron heelguard gratings	32.37	
	4D22SP	⑥	Channel complete with embossed metal sheet solid plate Th. 3, reinforced and hot-dip galvanised	32.16	

WITH AISI 304 STAINLESS STEEL PROTECTIVE EDGE RAIL

Channel L mm	Code	Grating	Description of the channel assembled with the grating complete with accessories	Weight kg	Load class
1,000	4D23SX1	①	Channel complete with pressure-locked grating with edging, 25x2-10x2 33x33, AISI 304 stainless steel	12.99	C 250
	4D23SX2	②	Channel complete with pressure-locked grating with edging, 25x2-10x2 55x11 heelguard mesh, AISI 304 stainless steel	13.79	
	4D23SX3	③	Channel complete with pressure-locked grating with edging, 25x2-10x2 33x11 heelguard mesh, AISI 304 stainless steel	14.99	
	4D23SPI	⑦	Channel complete with embossed metal sheet solid plate Th. 3, AISI 304 stainless steel, reinforced	33.32	D 400
	4D23SX4	⑦	Channel complete with pressure-locked grating with edging, 25x3-10x2 25x25, AISI 304 stainless steel	16.19	

Plastic Fly 200 channel accessories



End cap for channels



End caps with outlets



Anchoring kit

Code	Description	Weight kg
4D21TI	End cap made of AISI 304 stainless steel sheet Th. 15/10 for Plastic Fly 200 channel with edge rail	1.08
4D21RI	End cap with outlet made of AISI 304 stainless steel sheet thickness 15/10 for Plastic Fly 200 channel with edge rail, Ø 168 mm	2.15
4D20K	Anchoring kit for galvanised gratings	0.02
4D20V	Anchoring kit for stainless steel and ductile iron gratings, and for galvanised and stainless steel plates	0.02

Plastic Fly 200 channel without grating - Length 1,000 mm

Channel L mm	Code	Description	Water passage mm	Run-off section cm ²	Weight kg	Pieces pallet
1,000	4D21S	Plastic Fly 200 ABS channel with ABS protective edge rail	200	381	5.02	24
	4D22S	Plastic Fly 200 ABS channel with galvanised protective edge rail	200	381	7.65	24
	4D23S	Plastic Fly 200 ABS channel with AISI 304 stainless steel edge rail	200	381	7.69	24