

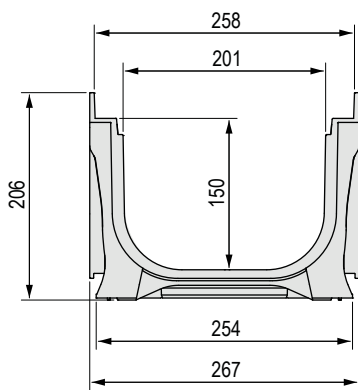
ABS CHANNELS PLASTIC FLY 200 Low

Grating width 250 mm

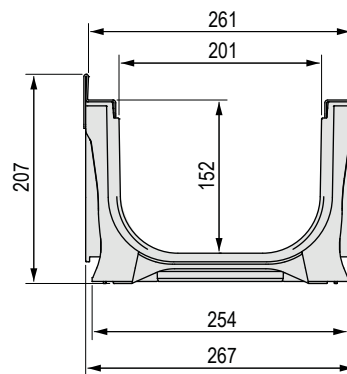
ABS channel available in various versions for housing the grating: without edge rails, with ABS edge rails or with metal edge rails, complying with the UNI EN 1433 standard. The channels are sold exclusively in complete pallets and together with the gratings.



Dimensions of the Plastic Fly 200 Low channel based on the type of edge rail used


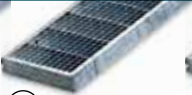



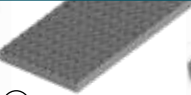



With **ABS** protective edge rail



With protective edge rail **MADE OF GALVANISED STEEL OR STAINLESS STEEL**

Available gratings

						
1 Pressure-locked grating, 33x33 mesh, galvanised or stainless steel C 250	2 Pressure-locked grating, 55x11 heelguard mesh, galvanised or stainless steel C 250	3 Pressure-locked grating, 33x11 heelguard mesh, galvanised or stainless steel C 250	4 GJS500-7 ductile iron grating C 250 D 400	5 GJS500-7 ductile iron heelguard grating C 250 D 400	6 Embossed metal sheet plate Th. 3, galvanised or stainless steel C 250 D 400	7 AISI 304 stainless steel grating, 25x25 mesh D 400

Plastic Fly 200 Low channel complete with grating - Length 1,000 mm WITH ABS PROTECTIVE EDGE RAIL

Channel L mm	Code	Grating	Description of the channel assembled with the grating complete with accessories	Weight kg	Price €	Load class
1,000	4D2BSG1	1	Channel complete with pressure-locked grating with C-shaped edges, 25x2-10x2 33x33, hot-dip galvanised	8.77	113.70	C 250
	4D2BSG2	2	Channel complete with pressure-locked grating with C-shaped edges, 25x2-10x2 55x11 heelguard mesh, hot-dip galvanised	9.70	128.98	
	4D2BSG3	3	Channel complete with pressure-locked grating with C-shaped edges, 25x2-10x2 33x11 heelguard mesh, hot-dip galvanised	10.99	158.69	
	4D2BSGS	4	Channel complete with 2 x GJS500-7 ductile iron gratings	26.51	197.01	
	4D2BSGSA	5	Channel complete with 2 x GJS500-7 ductile iron heelguard gratings	28.39	216.71	
	4D2BSP	6	Channel complete with embossed metal sheet solid plate Th. 3, reinforced and hot-dip galvanised	28.18	293.52	

WITH GALVANISED PROTECTIVE EDGE RAIL

Channel L mm	Code	Grating	Description of the channel assembled with the grating complete with accessories	Weight kg	Price €	Load class
1,000	4D2CSG1	①	Channel complete with pressure-locked grating with C-shaped edges, 25x2-10x2 33x33, hot-dip galvanised	11.43	139.74	C 250
	4D2CSG2	②	Channel complete with pressure-locked grating with C-shaped edges, 25x2-10x2 55x11 heelguard mesh, hot-dip galvanised	12.63	155.03	
	4D2CSG3	③	Channel complete with pressure-locked grating with C-shaped edges, 25x2-10x2 33x11 heelguard mesh, hot-dip galvanised	13.65	187.34	
	4D2CSGS	④	Channel complete with 2 x GJS500-7 ductile iron gratings	29.17	223.06	D 400
	4D2CSGSA	⑤	Channel complete with 2 x GJS500-7 ductile iron heelguard gratings	31.06	245.36	
	4D2CSP	⑥	Channel complete with embossed metal sheet solid plate Th. 3, reinforced and hot-dip galvanised	30.84	320.39	

WITH AISI 304 STAINLESS STEEL PROTECTIVE EDGE RAIL

Channel L mm	Code	Grating	Description of the channel assembled with the grating complete with accessories	Weight kg	Price €	Load class
1,000	4D2DSX1	①	Channel complete with pressure-locked grating with edging, 25x2-10x2 33x33, AISI 304 stainless steel	11.63	354.56	C 250
	4D2DSX2	②	Channel complete with pressure-locked grating with edging, 25x2-10x2 55x11 heelguard mesh, AISI 304 stainless steel	12.43	388.61	
	4D2DSX3	③	Channel complete with pressure-locked grating with edging, 25x2-10x2 33x11 heelguard mesh, AISI 304 stainless steel	13.63	423.06	
	4D2DSP1	⑥	Channel complete with embossed metal sheet solid plate Th. 3, AISI 304 stainless steel, reinforced	30.84	590.71	D 400
	4D2DSX4	⑦	Channel complete with pressure-locked grating with edging, 25x3-10x2 25x25, AISI 304 stainless steel	14.83	442.14	

Plastic Fly 200 Low channel accessories



End cap for channels



End caps with outlets



Anchoring kit

Code	Description	Weight kg	Price €
4D2BT1	End cap made of AISI 304 stainless steel sheet Th. 15/10 for Plastic Fly 200 Low channel with edge rail	1.08	21.85
4D2BR1	End cap with outlet made of AISI 304 stainless steel sheet thickness 15/10 for Plastic Fly 200 Low channel with edge rail, Ø 147 mm	1.74	27.56
4D20K	Anchoring kit for galvanised gratings	0.02	2.67
4D20V	Anchoring kit for stainless steel and ductile iron gratings, and for galvanised and stainless steel plates	0.02	2.62

Plastic Fly 200 Low channel without grating - Length 1,000 mm

Channel L mm	Code	Description	Water passage mm	Run-off section cm ²	Weight kg	Pieces pallet	Price €
1,000	4D2BS	Plastic Fly 200 Low ABS channel with ABS protective edge rail	200	283	3.67	32	62.78
	4D2CS	Plastic Fly 200 Low ABS channel with galvanised protective edge rail	200	283	6.34	32	120.61
	4D2DS	Plastic Fly 200 Low ABS channel with AISI 304 stainless steel edge rail	200	283	6.34	32	169.38